

MATRIX PACKAGING MACHINERY

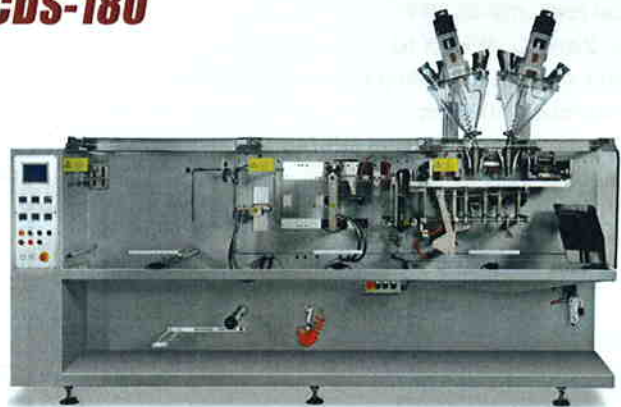
# MACWELL CDS SERIES

HORIZONTAL FORM/FILL/SEAL

**CDS-130**



**CDS-180**



**+** Macwell Machinery

Matrix Packaging Machinery, Inc. is proud to introduce our partnership with Macwell Machinery.

The high quality and innovative design of Macwell Machinery, well known throughout the European and Asian markets, is now available in the Americas via Matrix Packaging Machinery, Inc.

Matrix is committed to continue providing the outstanding after sales support that our customers have come to expect encompassing an entire range of Vertical and Horizontal Form/Fill/Seal machinery.

## CDS-130 FEATURES

- Single filling station
- Mitsubishi PLC
- Digital HMI
- Automatic film unwind system
- Food grade 304 stainless steel contact surfaces
- Independent pouch former
- Horizontal sealing units
- Vertical sealing unit
- Plain design sealing bar
- Straight line tear notch (optional)
- Mechanical film advance
- Mechanical scissors
- Vacuum pouch opening device
- 3 side seal pouch
- Temperature adjustable seal
- Jog operation function
- Emergency stop button
- Photocell sensor

## CDS-180 FEATURES

- Two filling stations
- Mitsubishi PLC and touch screen
- Automatic film unwind system
- Food grade 304 stainless steel contact surfaces
- Independent pouch former
- Horizontal sealing units
- Vertical sealing unit
- Plain design sealing bar
- Straight line tear notch (optional)
- Mechanical film advance
- Mechanical scissors
- Vacuum pouch opening device
- 3 side seal pouch
- Temperature adjustable seal
- Jog operation function
- Emergency stop button
- Photocell sensor

MATRIX   
 PACKAGING   
 MACHINERY INC.

650 Dekora Woods Blvd. Saukville, WI 53080  
Phone: (262) 268-8300 [www.matrixpm.com](http://www.matrixpm.com)



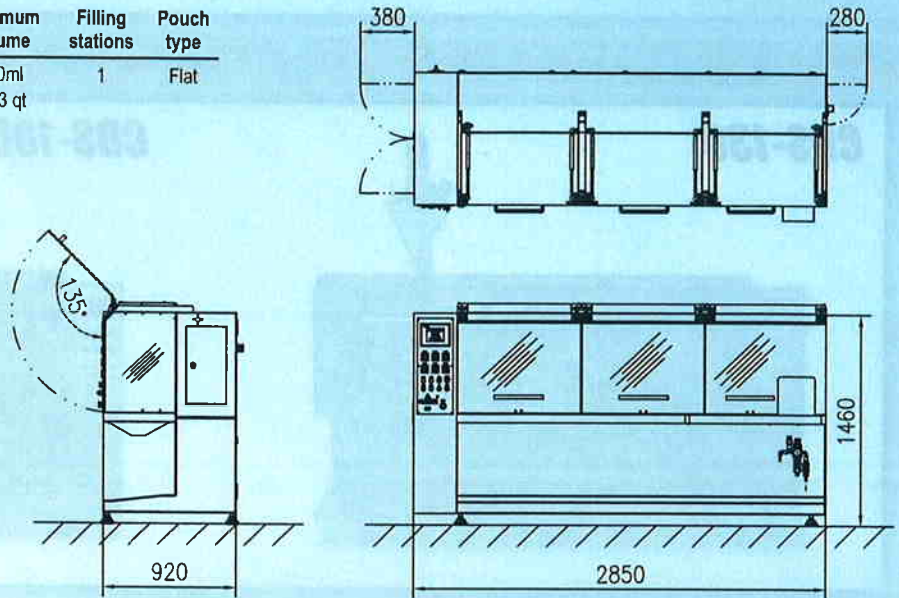
**Macwell Machinery**

# **MACWELL CDS SERIES**

## **CDS-130**

Machine	Pouch size minimum	Pouch size maximum	Output up to (pouches/min)	Maximum volume	Filling stations	Pouch type
CDS-130	60mm x 80mm 2.36" x 3.15"	130mm x 180mm 5.12" x 7.09"	70	220ml 233 qt	1	Flat

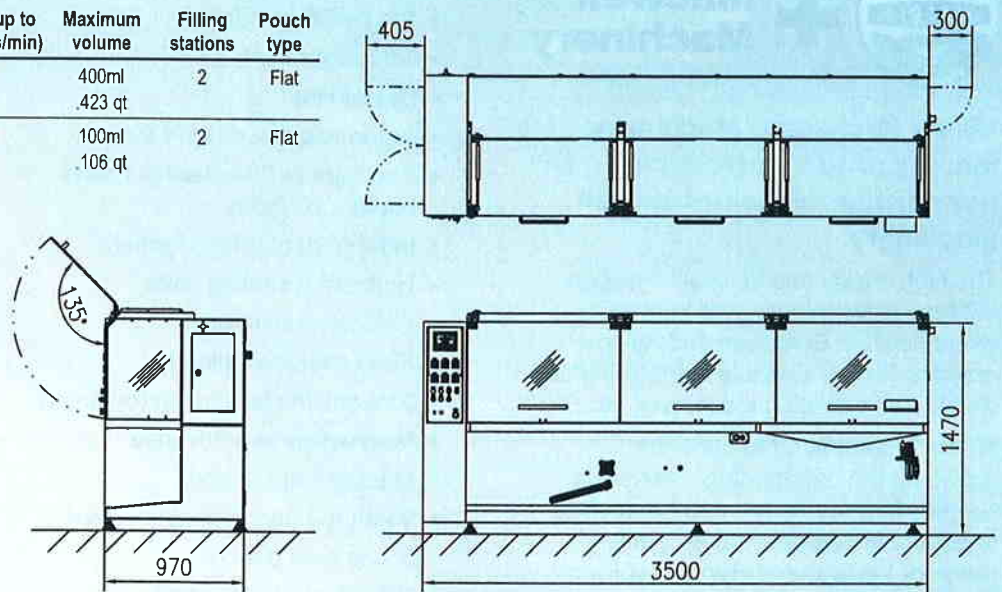
Electrical consumption: 4kw  
 Voltage: 220VAC, 3PH, 60hz  
 Operation air pressure: 0.6mpa  
 Air consumption: 100l/min  
 Reel dimensions: max. 400mm (15.748")  
 Dimensions of main machine:  
 2850mm x 920mm x 1460mm  
 (112.21" x 36.22" x 57.48")



## **CDS-180**

Machine	Pouch size minimum	Pouch size maximum	Output up to (pouches/min)	Maximum volume	Filling stations	Pouch type
CDS-180	60mm x 80mm 2.36" x 3.15"	180mm x 220mm 7.09" x 8.66"	70	400ml .423 qt	2	Flat
CDS-180T	65mm x 80mm 2.60" x 3.15"	90mm x 220mm 3.54" x 8.66"	140	100ml .106 qt	2	Flat

Electrical consumption: 5kw  
 Voltage: 220VAC, 3PH, 60hz  
 Operation air pressure: 0.6mpa  
 Air consumption: 200l/min  
 Reel dimensions: max. 500mm (19.69")  
 Dimensions of main machine:  
 3500mm x 970mm x 1470mm  
 (137.80" x 38.19" x 57.87")



**MATRIX**         
  **PACKAGING**    
    **MACHINERY** INC.

650 Dekora Woods Blvd. Saukville, WI 53080  
 Phone: (262) 268-8300 [www.matrixpm.com](http://www.matrixpm.com)

***RUNNING WITH MATRIX***