

MATRIX  
PACKAGING  
MACHINERY INC.



**SOLPAC**  
SOLUTION OF PACKAGE

**= MORE SOLUTIONS!**

# AUTOMATIC SACHET PACKAGING MACHINES

Accurate filling weight  
and excellent sealing  
performance

Ideal for granulated  
confectionery, tea, coffee,  
sugar, powder soup,  
artificial flavors, health food  
and similar products



Model	Powder Packaging <b>SP 101</b>	Liquid Packaging <b>SP 202</b>	Stick-type Packaging <b>SP 303</b>	Strip Packaging <b>SP 404</b>	Horizontal Packaging <b>SP 505</b>
<b>Specification</b>					
Speed	30-50 cycles per min.	30-60 cycles per min.	20-40 cycles per min.	60-120 tablets per min./lane 60-80 capsules per min./lane	250-400 packs/min.
Number of lanes	2-6 lanes	2-6 lanes	2-10 lanes	2-10 lanes	Single
Max. sealing width	380mm	380mm	600mm	400mm	L50xW90
Length adjustable range	50-130mm	50-130mm	50-190mm		
Filling range	0.5-50gram	1-100 gram	1-40gram		1-40 gram
Max. package diameter			30mm		
Max. film width	790mm	790mm	650mm	400-800mm	
Packaging material	Heat sealable material	Heat sealable material	Heat sealable material	Heat sealable material	Heat sealable material
Sealing method	4-side sealing	4-side sealing	3-side sealing	4-side sealing	3-side sealing
Foil print design	Eyemark or repeat pattern	Eyemark or repeat pattern	Eyemark or repeat pattern	Eyemark or repeat pattern	Eyemark or repeat pattern
Electricity	220/380V, 3P, 50/60Hz	220/380V, 3P, 50/60Hz	220/380V, 3P, 50/60Hz	220/380V, 3P, 50/60Hz	220/380V, 3P, 50/60Hz
Compressed air	5kg/cm <sup>2</sup>	5kg/cm <sup>2</sup>	5kg/cm <sup>2</sup>	5kg/cm <sup>2</sup>	5kg/cm <sup>2</sup>
Machine dimension	L1,900 x W1,600 x H2,300mm	L2,200 x W2,200 x H2,200mm	L1,900 x W1,600 x H2,300mm	L1,900 x W1,700 x H2,200mm	L2,200 x W1,000 x H2,000mm
Machine weight	1,100kg	1,300kg	1,200kg	1,200kg	1,200kg

All specifications are subject to change without prior notice

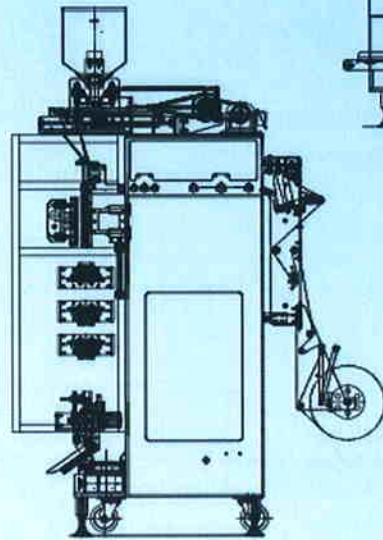
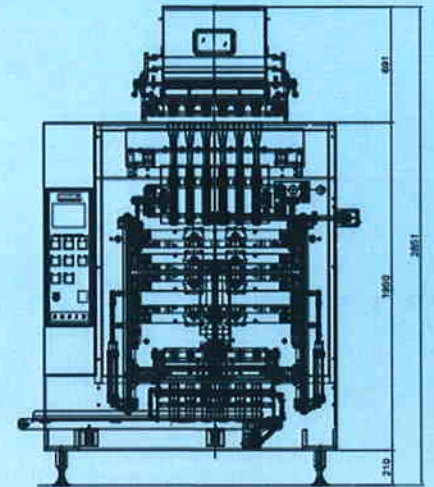
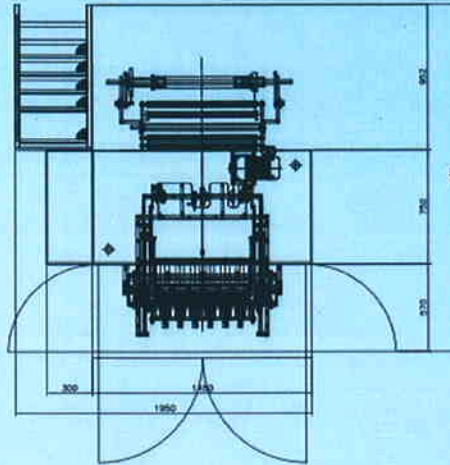
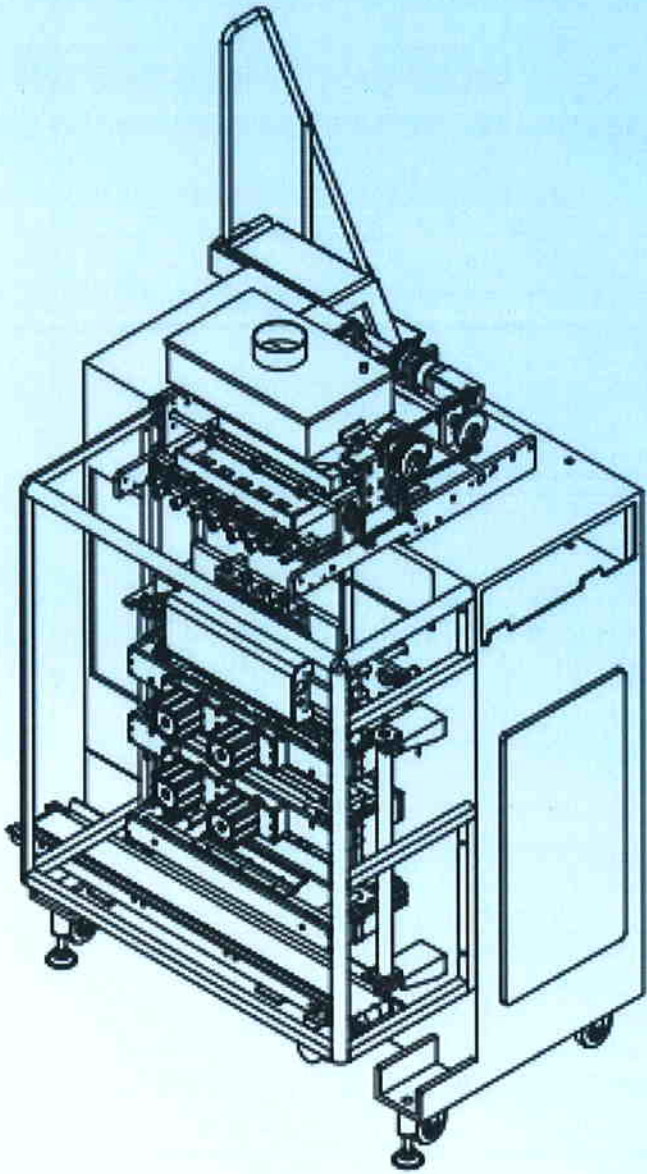
650 Dekora Woods Blvd. Saukville, WI 53080  
Phone: 262-268-8300 [www.matrixpm.com](http://www.matrixpm.com)

MATRIX  
PACKAGING  
MACHINERY INC.



**SOLPAC**  
SOLUTION OF PACKAGE

# AUTOMATIC SACHET PACKAGING MACHINES



(Pictured: SP-303)



650 Dekora Woods Blvd. Saukville, WI 53080  
Phone: (262) 268-8300 [www.matrixpm.com](http://www.matrixpm.com)

**RUNNING WITH MATRIX**